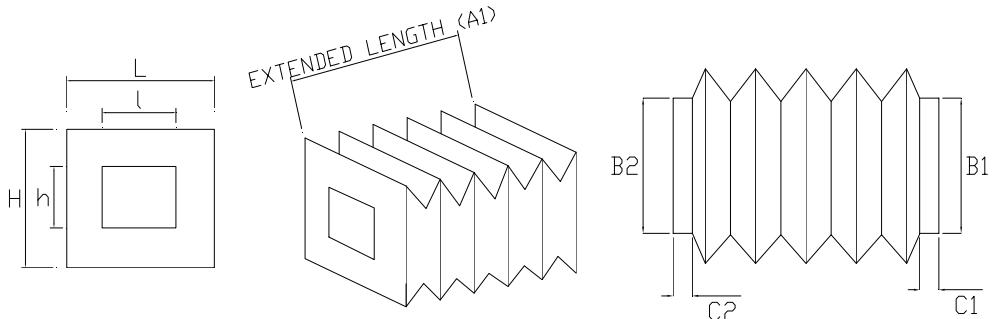
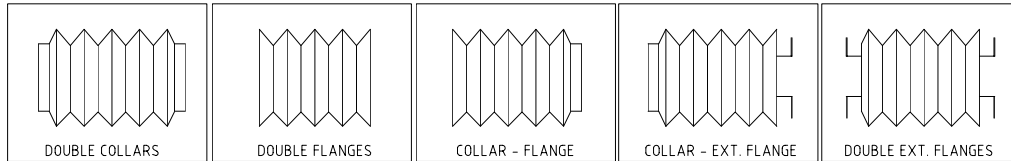


1. Download this form and save to your desktop
2. Open form and fill in required dimensions
3. Press EMAIL FORM button to send to C & D

Alternatively, attach completed form to an email and forward to: sales@callcott-downey.com.au or call us (08) 9451 4144

RECTANGULAR BELLOW SPECIFICATION SHEET



ORDERING SPECIFICATIONS

Your Ref:

External Dimensions	L x H	_____ x _____
Internal Dimensions	l x h	_____ x _____
Extended Length Excluding Cuffs	A1.	_____
Closed Length Excluding Cuffs	A2.	_____
Cuff Size Required	B1.	_____
Cuff Length Required for Fastening	C1.	_____
Cuff Size Required	B2.	_____
Cuff Length Required for Fastening	C2.	_____
Material Type	_____	
Special Requirements	_____	

CUSTOMER DETAILS

DATE:

Company Name:		_____
Contact Name:		_____
Email:		_____
Address:		_____
Phone:	Fax:	_____
Qty:		_____

- | | | |
|---|--------------------------------------|---------------------------------------|
| <input type="checkbox"/> Indoor Use | <input type="checkbox"/> Outdoor Use | <input type="checkbox"/> Humidity |
| <input type="checkbox"/> Dryness | <input type="checkbox"/> Heat | <input type="checkbox"/> Dust / Sand |
| <input type="checkbox"/> Welding Splashes | <input type="checkbox"/> Saltwater | <input type="checkbox"/> Rust Action |
| <input type="checkbox"/> Abrasive Action | <input type="checkbox"/> Magnetic | <input type="checkbox"/> Vacuum |
| <input type="checkbox"/> Chips Large | <input type="checkbox"/> Chips Small | <input type="checkbox"/> Coolant Type |
| <input type="checkbox"/> Oil Type | | |

Working Temperature (In °C)

Min
 Max
 Average

SPECIAL FEATURES AVAILABLE ON REQUEST

- Internal Support Rings For Horizontal Application
- External Tie Straps for Vertical Application
- Binder on Convolution Joins, Inside & Out
- Double Stitch on Cuff Connections
- Flange Connections, One End / Both Ends