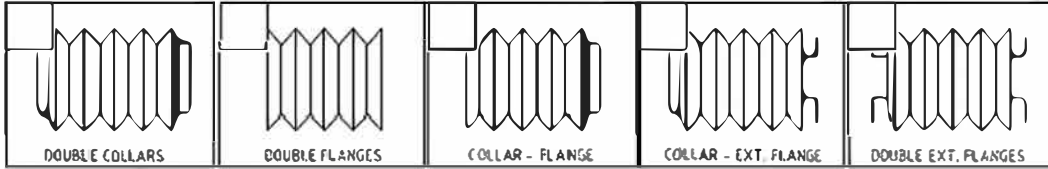


SQUARE BELLOW SPECIFICATION SHEET

1. Download this form and save to your desktop
2. Open form and fill in required dimensions
3. Press EMAIL FORM button to send to C & D

Alternatively, attach completed form to an email and forward to:
sales@callcott-downey.com.au or call us (08) 9451 4144



ORDERING SPECIFICATIONS

Your Ref:

External Dimensions	L x H	_____	X
Internal Dimensions	l x h	_____	X
Extended Length Excluding Cuffs	A1.	_____	
Closed Length Excluding Cuffs	A2.	_____	
Cuff Size Required	B1.	_____	
Cuff Length Required for Fastening	C1.	_____	
Cuff Size Required	B2.	_____	
Cuff Length Required for Fastening	C2.	_____	
Material Type	_____		
Special Requirements	_____		

CUSTOMER DETAILS

DATE:

Company Name: _____

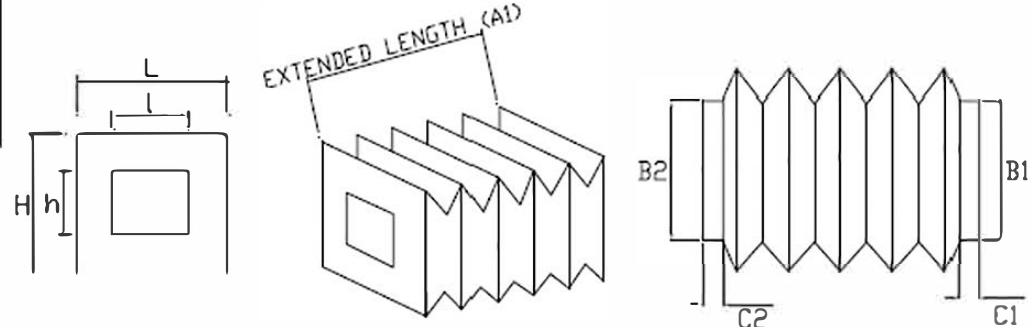
Contact Name: _____

Email: _____

Address: _____

Phone: _____ Fax: _____

Qty: _____



- | | | |
|---|--------------------------------------|--------------------------------------|
| <input type="checkbox"/> Indoor Use | <input type="checkbox"/> Outdoor Use | <input type="checkbox"/> Humidity |
| <input type="checkbox"/> Dryness | <input type="checkbox"/> Heat | <input type="checkbox"/> Dust / Sand |
| <input type="checkbox"/> Welding Splashes | <input type="checkbox"/> Saltwater | <input type="checkbox"/> Rust Action |
| <input type="checkbox"/> Abrasive Action | <input type="checkbox"/> Magnetic | <input type="checkbox"/> Vacuum |
| <input type="checkbox"/> Chips Large | <input type="checkbox"/> Chips Small | <input type="checkbox"/> Coolant |
| <input type="checkbox"/> Oil | | |

Working Temperature (In °C)

_____ Min _____ Max _____ Average

SPECIAL FEATURES AVAILABLE ON REQUEST

- Internal Support Rings For Horizontal Application
- External Tie Straps for Vertical Application
- Binder on Convolution Joins, Inside & Out
- Double Stitch on Cuff Connections
- Flange Connections, One End / Both Ends